

Introducing National Time & Signal Corporation's Ethernet Clock System – the future of accurate time display for Schools, Hospitals and Industry. Our next generation technology eliminates the complexity and high cost of today's PoE approach and delivers the simplest, most affordable and Greenest answer to reliable, precise time throughout your facility, your campus or your worldwide operations. Our PoE technology delivers power and Ethernet data using only two wires without dedicated wire runs per clock!

ETMC-2W Master Clocks

- Ethernet Time Master Clock
- Consumes only one IP network address
- Powers and controls Ethernet time room clocks on two wires
- 2 Power/Data outputs for up to 80 clocks each
- User-friendly web browser interface
- Two relay outputs for scheduled events (bells, tones, etc.)
- 2U standard 19" rack mounting
- Small footprint 11"x13.5" wall mount
- Control output for Booster Power Supplies
- ETMCU-2W Wall Mount adds Time Display and user interface



ETMC-2W Rack Mount



ETMC-2W Wall Mount



ETMCU-2W Wall Mount

ET-RPS6-2W Power Supplies

- Ethernet Time Booster Power Supply
- Controlled by ETMC-2W
- Consumes no IP network address
- Adds 2 Power/Data outputs for up to 80 clocks each
- May be controlled locally in same Rack using control output
- May be installed remotely to extend Power/Data circuits
- 2U standard 19" rack mounting
- Small footprint 11"x13.5" wall mounting



ET-RPS6-2W Rack Mount

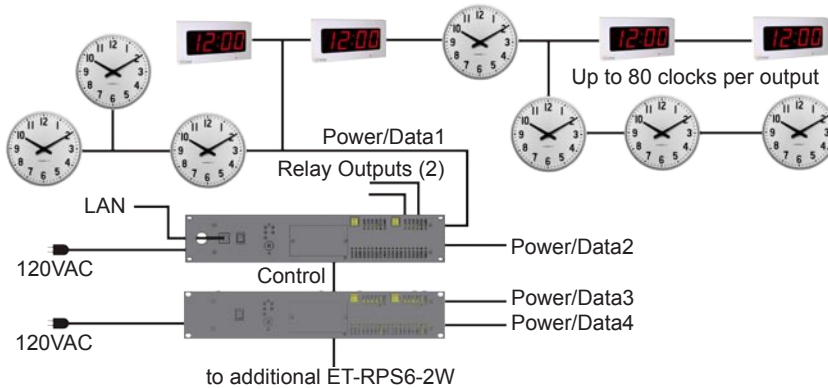


ET-RPS6-2W Wall Mount

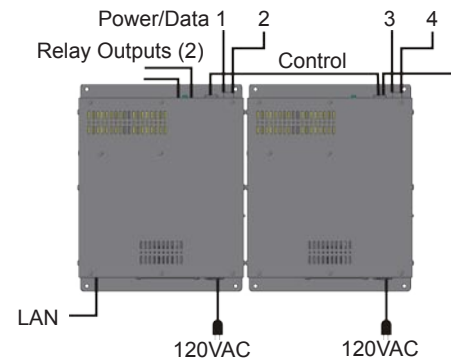
Ethernet Time On a Dime!



System Configuration



ETMC-2W with ET-RPS6-2W Rack Mount



ETMC-2W with ET-RPS6-2W Wall Mount



Configuration and relay event programming through a standard web browser using National's WeCan™ programming interface.

Specifications

Input Power: 120VAC 50/60Hz; 1.5A max. (for 230VAC 50/60Hz, add suffix -HV)

Power/Data Outputs: (2) 75 Watt, Class II Power Limited; 24VAC nominal.

Relay Outputs: (2) Form A, Dry Contact. (Master Clocks only)

Control Output: 24VDC Open collector, 200mA max.

LAN: 10/100Mbit auto negotiating; TCP/IP; DNS; DHCP; SNTP; TIME; HTTP; FTP protocols supported

Rack Mount Dimensions:

19" Rack, 2U footprint. 14" Deep; 16/18ga Painted Galvanized Steel

Wall Mount Dimensions:

11"W x 13.5" H x 3.5"D, 18ga Painted Galvanized Steel



Ordering Information

Part No.	Description
ETMC-2W-RM	Ethernet Time Master Clock; 2-Wire Power/Data; Rack Mount
ETMC-2W-WM	Ethernet Time Master Clock; 2-Wire Power/Data; Wall Mount
ETMCU-2W-WM	Ethernet Time Master Clock with User Display; 2-Wire Power/Data; Wall Mount
ET-RPS6-2W-RM	Ethernet Time Booster Power Supply; 2-Wire Power/Data; Rack Mount
ET-RPS6-2W-WM	Ethernet Time Booster Power Supply; 2-Wire Power/Data; Wall Mount

Add Suffix -HV for 230VAC 50/60Hz versions